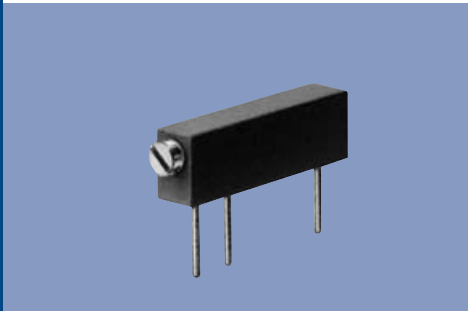


**Trimmers
Cermet
absolut**

Series TC007 -
TC176-2A

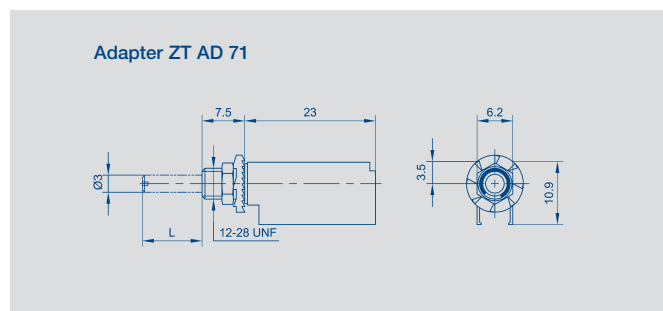
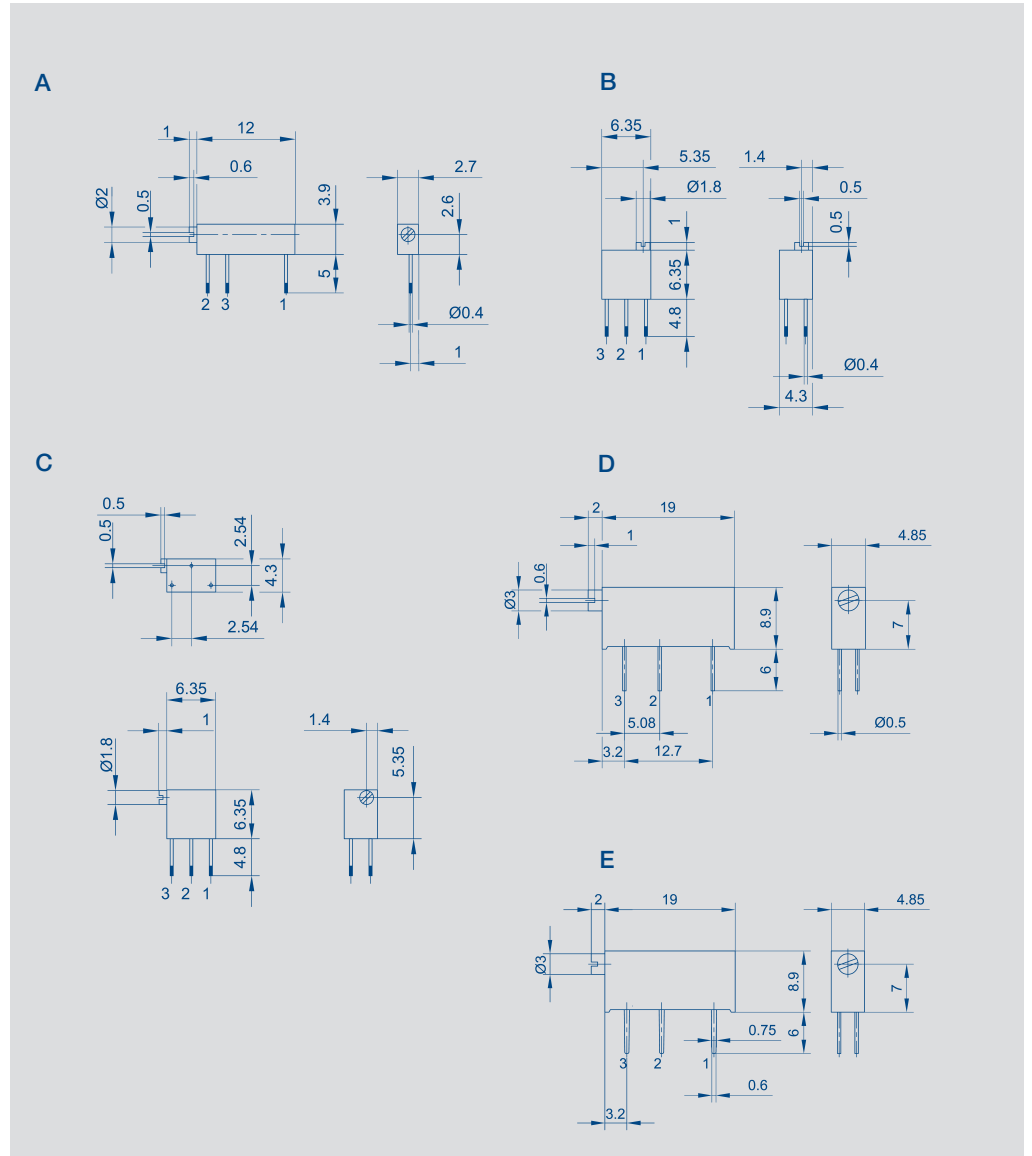


Special features

- flow solderable
- power rating up to 0.75 W
- protection class IP67
- very high resolution

Trimmers for adjusting electronic circuits and assemblies.

The careful selection of the materials and high quality of the components used ensure a constant and high level of quality throughout the entire service life of the angle sensor.



Description	
Housing	high quality, temperature consistent plastic
Setting screw	brass, nickel plated
Resistance element	Metalloxyd ceramics (Cermet)
Wiper assembly	precious metal

Type designations	TC007	TC163-3B	TC163-3C	TC170-3A	TC171-2A	TC175-2A	TC176-2A	
Mechanical Data								
Dimensions	drawing A	drawing B	drawing C	drawing D	drawing E	drawing E	drawing E	
Size	RJ28	RJ26	RJ26	19 mm	19 mm	19 mm	19 mm	
Spindle turns	12 ±1	12 ±1	12 ±1	18 ±1	18 ±1	18 ±1	18 ±1	turns
Connections	gold plated	tin plated	tin plated	tin plated	tin plated	tin plated	tin plated	
Housing	Duroplast	Thermoplast	Thermoplast	Duroplast	Thermoplast	Thermoplast transparent	Thermoplast transparent	
Weight	0.25	0.35	0.35	1.3	1.3	1.3	1.3	g

Electrical Data								
Power rating	0.33/40°C	0.25/85°C	0.25/85°C	0.75/40°C	0.75/40°C	0.75/40°C	0.75/40°C	W
Available resistance values	100 - 2x10 ⁶							Ω
Resistance tolerance	± 10							%
Maximum end-resistance	1 (≥ 2Ω)							%
Temperature coefficient of the resistance	100							ppm/K
Independent linearity	± 5							%
Max. permissible applied voltage	U _{max} = √ (power rating x resistance value)							V
Max. contact resistance CRV	≤ 3							%
Max. wiper current in case of malfunction	50							mA
Insulation resistance (500 VDC, 1 bar, 2 s)	≥ 10 000							MΩ
Dielectric strength (DC, 1 min)	600	900	900	900	900	900	900	V

Environmental Data								
Temperature range	-55...+125	-55...+125	-55...+125	-55...+150	-55...+125	-55...+125	-55...+125	°
Vibration	30...2000 A _{max} = 0.75 a _{max} = 10							Hz mm g
Life	400							movements
Shock (DIN IEC68T2-27)	50 7							g ms
Protection class (DIN 40050)	IP67							

Order designations (Example)

Series	R in Ω
TC 170-3A	100K e.g. 100R = 100Ω 10K = 10kΩ 1M = 1MΩ

Order designations / Abbreviations

2A: connecting solder pin square
3A...3E: connecting solder pin round

Recommended accessories

Adapter ZT AD 71
for trimmer TC170...TC176,
for extension of above
adapter L 0 mm; L 7 mm;
L 14 mm

Subject to changes