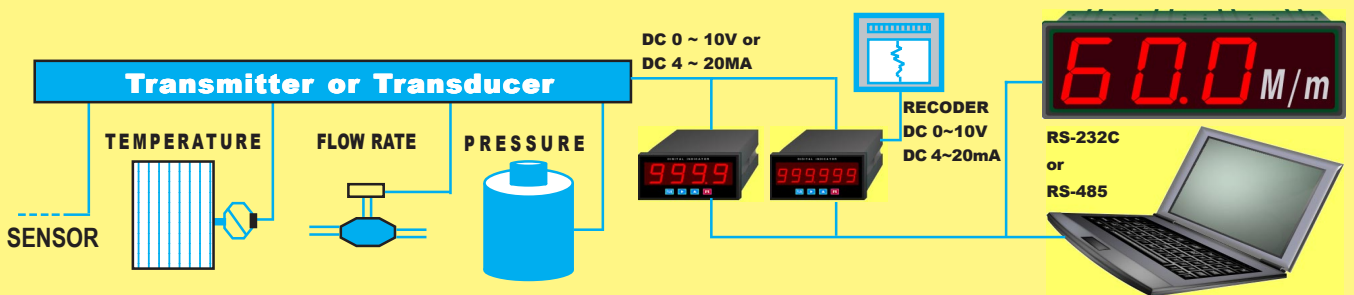


Programmable Analog Meter



2 Channel Input DC 4~20mA / 0~10V
20 mm digit high for 4-digit
14 mm digit high for 5,6-digit
Zero, Span Programmable
2, 4 Alarm Set Point (Hi or Lo)
Hysteresis Programmable
Delay Time Programmable
Analog Output DC 0~10V
Analog Output DC 4~20mA
RS-232c RS-485 ModBus (RTU / ASCII)



型號 Model No.	顯示範圍 Display Range	零點調整 Zero Adjust	線性調整 Span Adjust	警報設定 Alarm Set (Hi or Lo)	磁滯設定 Hysteresis	延時設定 Time Delay	串列輸出 Serial Port xx2 - RS232C xx5 - RS485 類比輸出 (16 bits) Analog Output xx7 - DC 0 ~ 10V xx8 - 0 ~ 20MA xx9 - 4 ~ 20mA
PVA9 = CASE 96x48 mm 4xx -digit 5xx -digit 6xx -digit							
PVA9-400	-1999~9999	-1999~9999	-1999~9999	-	-	-	-
PVA9-402(5)	-1999~9999	-1999~9999	-1999~9999	-	-	-	Serial Communication
PVA9-407(8,9)	-1999~9999	-1999~9999	-1999~9999	-	-	-	Analog Output
PVA9-420	-1999~9999	-1999~9999	-1999~9999	2 Point	0 ~ 99	0 ~ 99.9 Sec.	-
PVA9-422(5)	-1999~9999	-1999~9999	-1999~9999	2 Point	0 ~ 99	0 ~ 99.9 Sec.	Serial Communication
PVA9-427(8,9)	-1999~9999	-1999~9999	-1999~9999	2 Point	0 ~ 99	0 ~ 99.9 Sec.	Analog Output
PVA9-440	-1999~9999	-1999~9999	-1999~9999	4 Point	0 ~ 99	0 ~ 99.9 Sec.	-
PVA9-442(5)	-1999~9999	-1999~9999	-1999~9999	4 Point	0 ~ 99	0 ~ 99.9 Sec.	Serial Communication
PVA9-447(8,9)	-1999~9999	-1999~9999	-1999~9999	4 Point	0 ~ 99	0 ~ 99.9 Sec.	Analog Output
PVA9-500	-99999~99999	-19999~99999	-19999~99999	-	-	-	-
PVA9-502(5)	-99999~99999	-19999~99999	-19999~99999	-	-	-	Serial Communication
PVA9-507(8,9)	-99999~99999	-19999~99999	-19999~99999	-	-	-	Analog Output
PVA9-520	-99999~99999	-19999~99999	-19999~99999	2 Point	0 ~ 99	0 ~ 99.9 Sec.	-
PVA9-522(5)	-99999~99999	-19999~99999	-19999~99999	2 Point	0 ~ 99	0 ~ 99.9 Sec.	Serial Communication
PVA9-527(8,9)	-99999~99999	-19999~99999	-19999~99999	2 Point	0 ~ 99	0 ~ 99.9 Sec.	Analog Output
PVA9-540	-99999~99999	-19999~99999	-19999~99999	4 Point	0 ~ 99	0 ~ 99.9 Sec.	-
PVA9-542(5)	-99999~99999	-19999~99999	-19999~99999	4 Point	0 ~ 99	0 ~ 99.9 Sec.	Serial Communication
PVA9-547(8,9)	-99999~99999	-19999~99999	-19999~99999	4 Point	0 ~ 99	0 ~ 99.9 Sec.	Analog Output
PVA9-600	-199999~999999	-199999~999999	-199999~999999	-	-	-	-
PVA9-602(5)	-199999~999999	-199999~999999	-199999~999999	-	-	-	Serial Communication
PVA9-607	-199999~999999	-199999~999999	-199999~999999	-	-	-	Analog Output
PVA9-620	-199999~999999	-199999~999999	-199999~999999	2 Point	0 ~ 99	0 ~ 99.9 Sec.	-
PVA9-625(2)	-199999~999999	-199999~999999	-199999~999999	2 Point	0 ~ 99	0 ~ 99.9 Sec.	Serial Communication
PVA9-627(8,9)	-199999~999999	-199999~999999	-199999~999999	2 Point	0 ~ 99	0 ~ 99.9 Sec.	Analog Output
PVA9-640	-199999~999999	-199999~999999	-199999~999999	4 Point	0 ~ 99	0 ~ 99.9 Sec.	-
PVA9-642(5)	-199999~999999	-199999~999999	-199999~999999	4 Point	0 ~ 99	0 ~ 99.9 Sec.	Serial Communication
PVA9-647(8,9)	-199999~999999	-199999~999999	-199999~999999	4 Point	0 ~ 99	0 ~ 99.9 Sec.	Analog Output

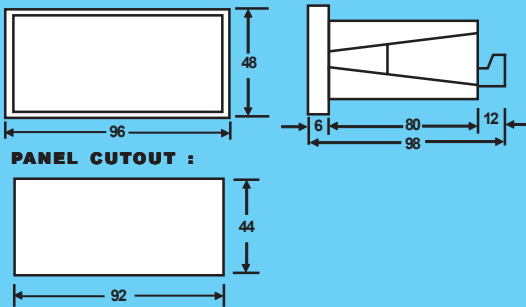
FEATURES:

- * There are 2 analog input DC 0~10V and DC 4~20mA in one meter.
一台電表同時有 2 個類比輸入埠 DC 0~10V and DC 4~20mA .
- * Large display : 0.8" high for 4-digit, 0.56" for 5-digit and 6-digit.
擁有較大大美觀數字, 4 位數高 0.8"(20mm), 5, 6 位數高 0.56"(14mm)
- * Programmable Zero; Span in full measuring range.
4-digit -1999~9999; 5-digit -99999~99999; 6-digit -199999~999999
可全範圍規劃零點及滿刻度 .
- * Alarm set point (2 or 4) detect by LO or HI programmable.
可規劃警報設定點(2 點, 4 點) 為 HI 或 LO 比較.
- * Programmable hysteresis 0~99 to avoid output swing.
可設定磁滯 0 ~ 99 以避免輸出產生振盪現象 .
- * Programmable output delay-time 0~99.9sec.
可設定延遲輸出時間以避免因雜訊或突波引起輸出誤動作 .
- * Programmable RS-232/RS-485 protocol for ModBus RTU or ASCII.
可設定串列輸出通訊協議為 ModBus RTU 或 ASCII .
- * Programmable communication from 0 to 247.
可設定串列輸出通訊位址 0 ~ 247 .
- * Programmable communication baud rate from 2400bps to 115200bps.
可設定串列輸出通訊速率為 2400bps to 115200bps .
- * Able to connet to large display (4" or 10" 7-Segment display).
可串接 4 英吋(10 cm)及 10 英吋(25 cm)字高大型顯示器 . .

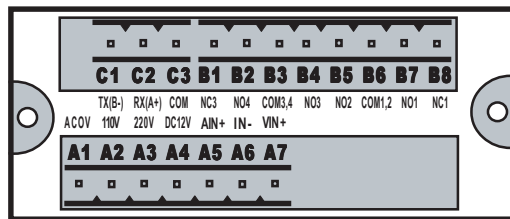
Specifications:

- Input Signal: DC 0 ~ 10V and
輸入信號 : DC 4 ~ 20mA.
- Input Impedance: 400K ohm.(DC 0 ~ 10V)
輸入組抗 : 120 ohm (DC 4 ~ 20 mA)
- Measuring Range: 4-digit -1999 ~ 9999.
顯示範圍 : 5-digit -99999 ~ 99999.
6-digit -199999 ~ 999999.
- Display digit-high: 4-digit 0.8"(20mm).
顯示字幕 : 5-digit 0.56"(14.2mm)
6-digit 0.56"(14.2mm)
- Measuring Accuracy: +/- 0.1% FS, +/- 2 counts.
顯示精度 :
- Sampling Time: 5 cycles / Sec.
顯示更新 :
- Over Range Indication: 4-digit OVER/-1999 flash; OVER/9999 Flash.
過值顯示 : 5-digit OVER/-99999 flash; OVER/99999 Flash.
6-digit OVER/-199999 flash; OVER/999999 Flash.
- Decimal Point Setting: Programmable in any digit.
小數設定 :
- Setting Point: 2 Point (Hi or Lo Programmable).
比較設定 : 4 Point (Hi or Lo Programmable).
- Hysteresis Setting:
磁滯設定 : 0 ~ 99.
- Output Time Delay: 0 ~ 99.9 Sec.
輸出延時 :
- Communication Output: RS-232C or RS-485.
串列通訊 : ModBus RTU / ASCII.
Address 0 ~ 247
Baud_Rate: 2400; 4800; 9600; 14400; 19200;
28800; 38400; 57600; 76800; 115200 (bps).
DC 0 ~ 10V; DC 0 ~ 20 mA; DC 4 ~ 20mA.
- Analog Output:
類比輸出 :
- Power Supply: AC 115V / 230V; AC 90 ~ 260V, 50/60 Hz.
工作電源 : 3.5VA .
- Operating Temperature: 0~50°C.
工作溫度 :
- Operating Humidity: 45 ~ 85 %RH.
工作濕度 :
- Degree of Protection: IP 54
保護等級 :
- Diamension: 1/8 DIN
外型尺寸 : 96(W)X48(H)X90(D)mm.
Panel Cutout: 92(W)X44(H)mm.
開孔尺寸 :

DIAMENSIONS :



Terminal Block Connections :



Order Information :

PVA9 - 5 4 2

P = Programable V = DC 0~10V Input A = DC 4~20mA Input 9 = 96x48mm Case	4 = 4 digits (-1999 ~ 9999) 5 = 5 digits (-99999 ~ 99999) 6 = 6 digits (-199999 ~ 999999)	0 = No Output 2 = 2 set-point with 2 Outputs 4 = 4 Set-point with 4 Outputs	0 = No Communication 2 = RS-232 5 = RS-485 7 = DC 0~10V AnalogOutput 8 = DC 0~20mA Analog Output 9 = DC 4~20mA Analog Output
--	--	--	---

AGENT :